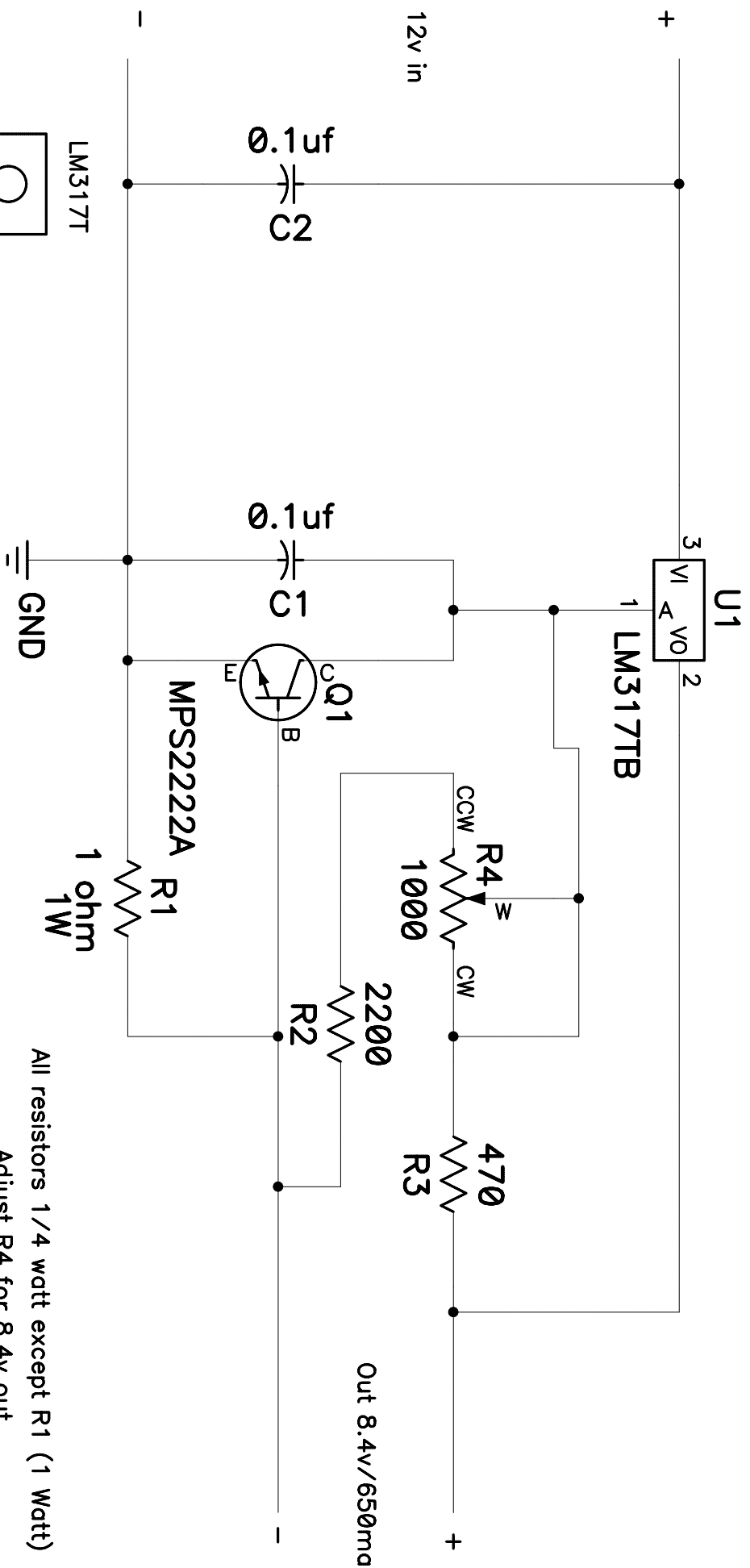
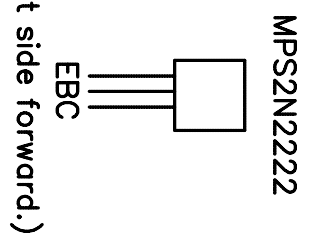
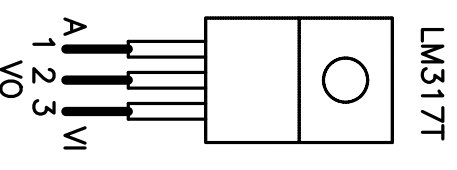


Lithium-Ion Battery charger



All resistors 1/4 watt except R1 (1 Watt)
Adjust R4 for 8.4v out



Designed by Scott Henion
04--28--2003
SHDesigns